

Lighting Contactors

CR460 Series Lighting Contactors – Project Submittal Form

Section 3

Item No. _____ Proposition No. _____

CR460 Series lighting contactors feature:

- A modular design that permits fast, on-site configuration
- 2-12 power poles that latch easily onto the base as either NO or NC and that can be added at any time
- 30 amp rating
- Snap-in auxiliary contacts
- Common components for both electrically and mechanically held versions
- Continuously rated, interchangeable coils
- Finger-safe terminals

Main Power Pole Ratings

Maximum AC Voltage and Amp Ratings

Load Type	Amps Continuous	1 Phase	3 Phase
Ballast	30	347 Vac	600 Vac
General Use	30	600 Vac	600 Vac
Tungsten	20	277 Vac	480 Vac
AC Resistive	30	600 Vac	600 Vac

Maximum Horsepower Rating (Normal Starting Duty)

	1 Pole Single Phase		3 Poles, Three Phase			
	Volts	HP	200-240V	220-240V	440-480V	550-600V
Volts	110-120V	220-240V	200-208V	220-240V	440-480V	550-600V
HP	1	2	3	5	10	15

Power pole configuration	Electrically Held Contactor				Mechanically Held Contactor				
	NO	NC	Standard Type 1 Enclosure	Oversized Type 1 Enclosure	Standard Type 1 Enclosure	Oversized Type 1 Enclosure			
2	0	<input type="checkbox"/>	CR463L20A*A10A0	<input type="checkbox"/>	CR463L20A*A10AA	<input type="checkbox"/>	CR463M20##A10A0	<input type="checkbox"/>	CR463M20##A10AA
3	0	<input type="checkbox"/>	CR463L30A*A10A0	<input type="checkbox"/>	CR463L30A*A10AA	<input type="checkbox"/>	CR463M30##A10A0	<input type="checkbox"/>	CR463M30##A10AA
4	0	<input type="checkbox"/>	CR463L40A*A10A0	<input type="checkbox"/>	CR463L40A*A10AA	<input type="checkbox"/>	CR463M40##A10A0	<input type="checkbox"/>	CR463M40##A10AA
6	0	<input type="checkbox"/>	CR463L60A*A10A0	<input type="checkbox"/>	CR463L60A*A10AA	<input type="checkbox"/>	CR463M60##A10A0	<input type="checkbox"/>	CR463M60##A10AA
8	0	<input type="checkbox"/>	CR463L80A*A10A0	<input type="checkbox"/>	CR463L80A*A10AA	<input type="checkbox"/>	CR463M80##A10A0	<input type="checkbox"/>	CR463M80##A10AA
10	0	<input type="checkbox"/>	CR463LB0A*A10A0	<input type="checkbox"/>	CR463LB0A*A10AA	<input type="checkbox"/>	CR463MB0##A10A0	<input type="checkbox"/>	CR463MB0##A10AA
12	0	<input type="checkbox"/>	CR463LD0A*A10A0	<input type="checkbox"/>	CR463LD0A*A10AA	<input type="checkbox"/>	CR463MD0##A10A0	<input type="checkbox"/>	CR463MD0##A10AA

* 60Hz Coil Voltage (V) for Electrically Held

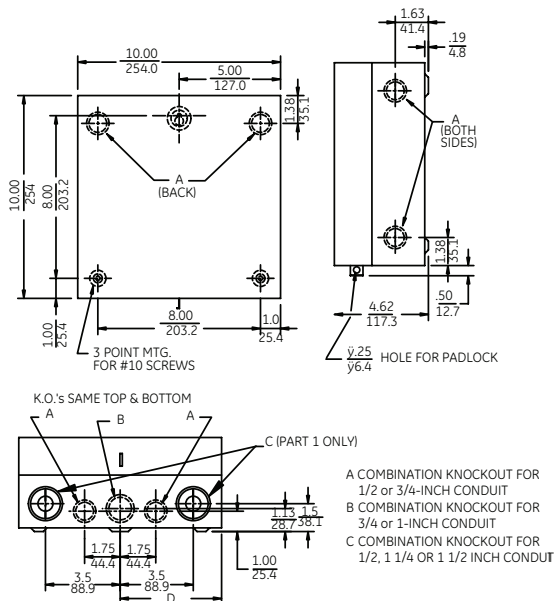
	115-24V	200-120V	230-208V	240V	277V	460-488V	575-600V
<input type="checkbox"/> C	<input type="checkbox"/>	<input type="checkbox"/>	<input type="checkbox"/>	<input type="checkbox"/>	<input type="checkbox"/>	<input type="checkbox"/>	<input type="checkbox"/>
<input type="checkbox"/> J	<input type="checkbox"/>	<input type="checkbox"/>	<input type="checkbox"/>	<input type="checkbox"/>	<input type="checkbox"/>	<input type="checkbox"/>	<input type="checkbox"/>
<input type="checkbox"/> L	<input type="checkbox"/>	<input type="checkbox"/>	<input type="checkbox"/>	<input type="checkbox"/>	<input type="checkbox"/>	<input type="checkbox"/>	<input type="checkbox"/>
<input type="checkbox"/> S	<input type="checkbox"/>	<input type="checkbox"/>	<input type="checkbox"/>	<input type="checkbox"/>	<input type="checkbox"/>	<input type="checkbox"/>	<input type="checkbox"/>
<input type="checkbox"/> T	<input type="checkbox"/>	<input type="checkbox"/>	<input type="checkbox"/>	<input type="checkbox"/>	<input type="checkbox"/>	<input type="checkbox"/>	<input type="checkbox"/>
<input type="checkbox"/> U	<input type="checkbox"/>	<input type="checkbox"/>	<input type="checkbox"/>	<input type="checkbox"/>	<input type="checkbox"/>	<input type="checkbox"/>	<input type="checkbox"/>
<input type="checkbox"/> Y	<input type="checkbox"/>	<input type="checkbox"/>	<input type="checkbox"/>	<input type="checkbox"/>	<input type="checkbox"/>	<input type="checkbox"/>	<input type="checkbox"/>

Control Module (V) for Mechanically Held

Control Volts	2-wire Control Coil Voltage		3-wire Control Coil Voltage	
	115-120V	277V	115-120V	277V
24-28V	<input type="checkbox"/>	<input type="checkbox"/>	<input type="checkbox"/>	<input type="checkbox"/>
110-120V	<input type="checkbox"/>	<input type="checkbox"/>	<input type="checkbox"/>	<input type="checkbox"/>
200-277V	<input type="checkbox"/>	<input type="checkbox"/>	<input type="checkbox"/>	<input type="checkbox"/>

Extended description (if any): _____

Type 1, Standard Enclosure



Type 1, Oversized Enclosure

